

*FREEDOM
RETRACTABLE
SCREENS*

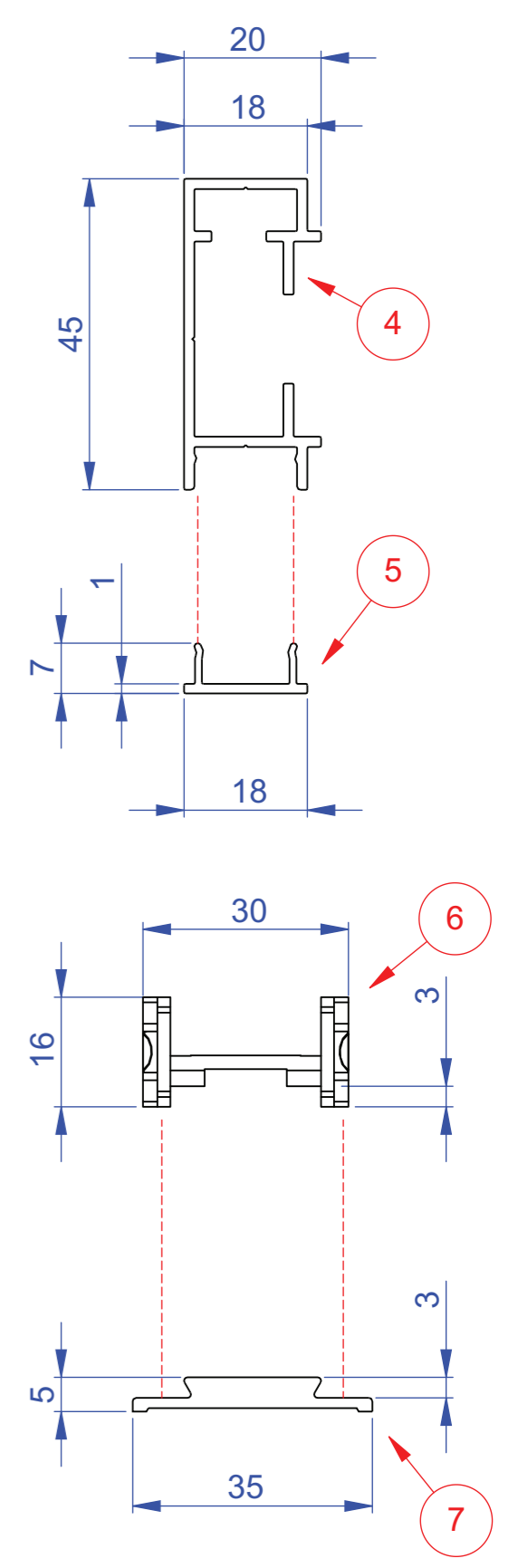
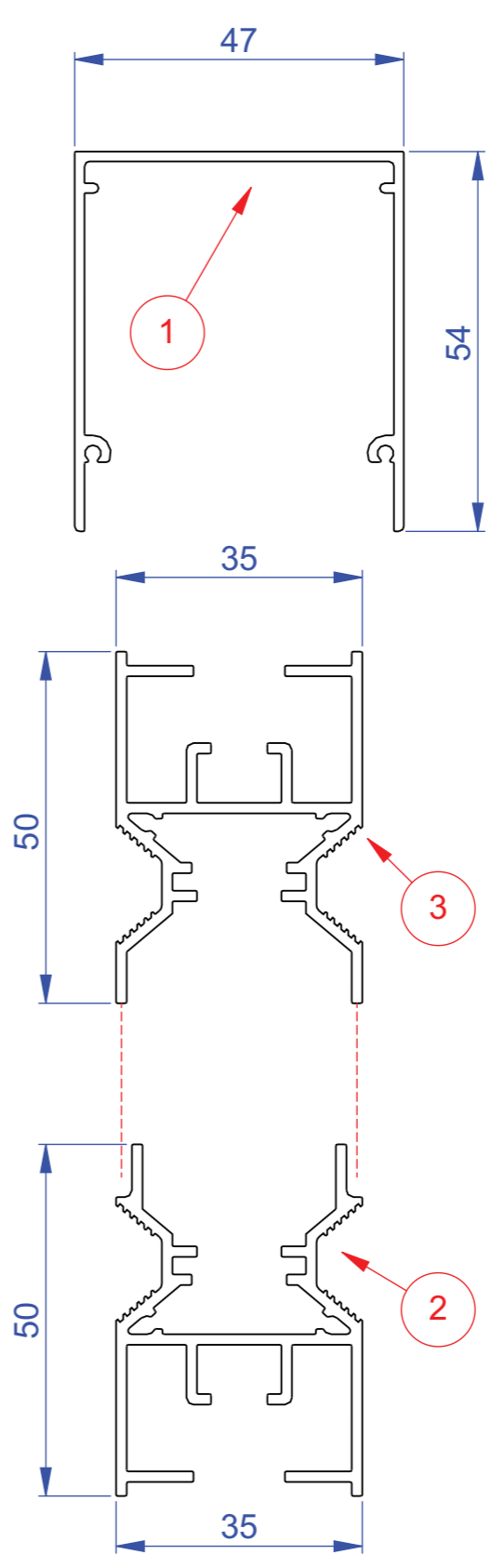
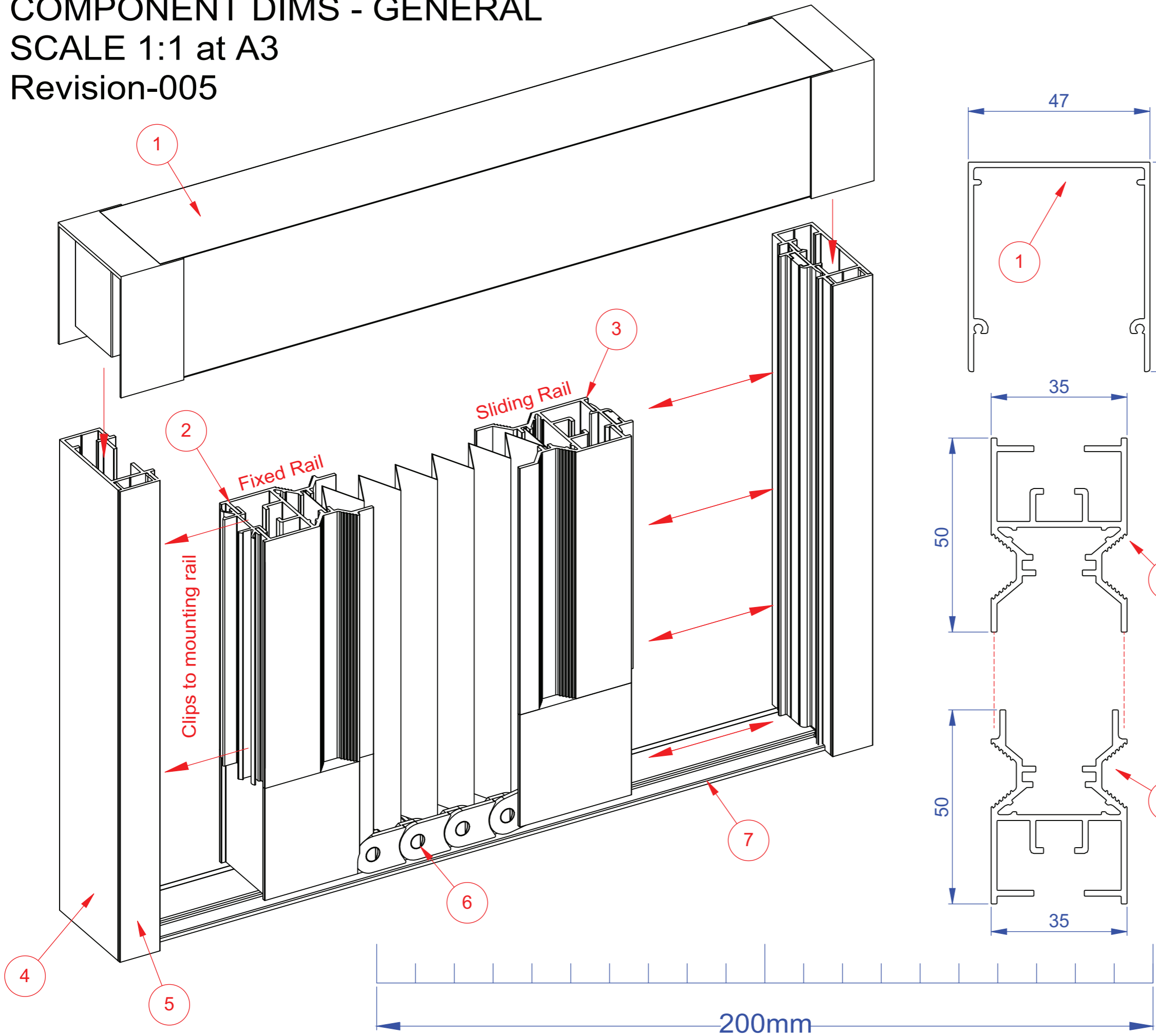


FREEDOM PLEATED SCREENS
Technical Information

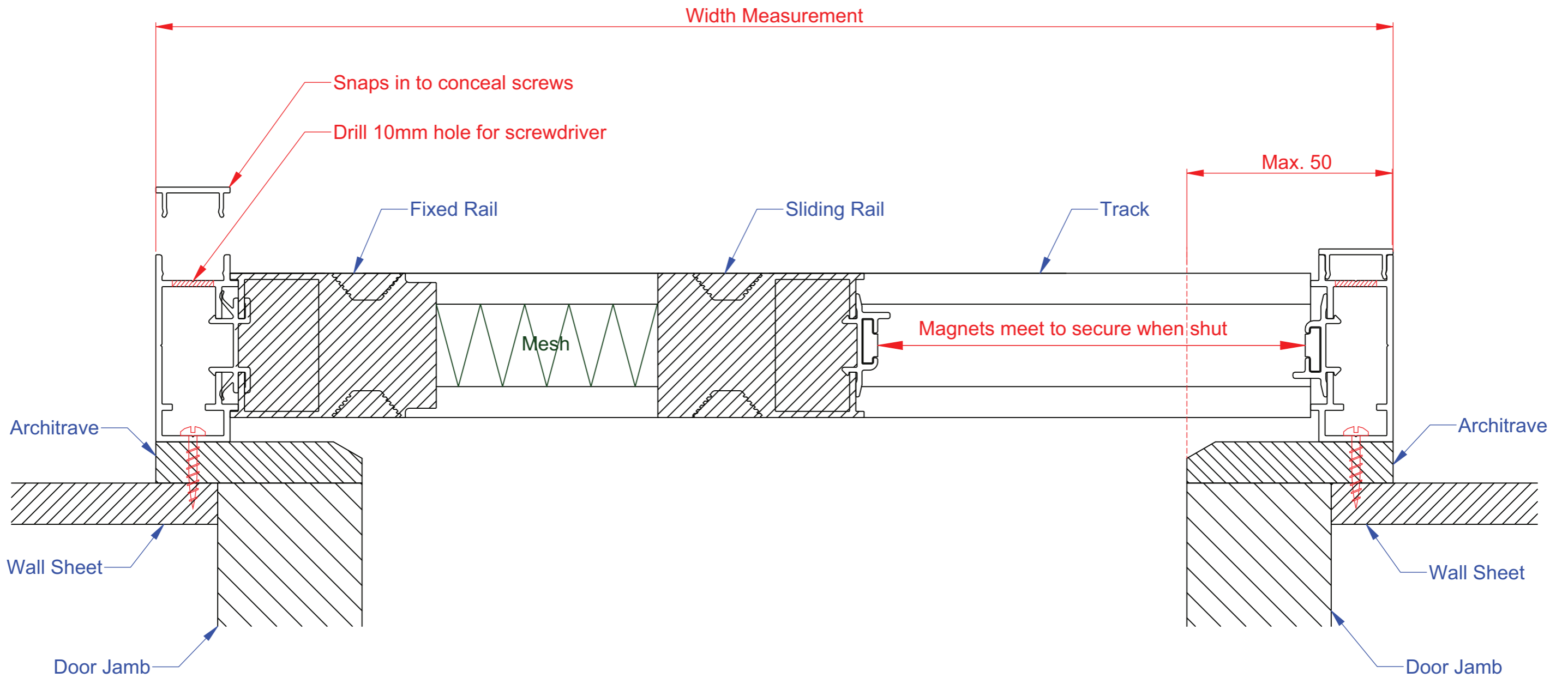
www.freedomscreens.com.au

FREEDOM RETRACTABLE SCREENS® FREEDOM PLEATED SCREENS

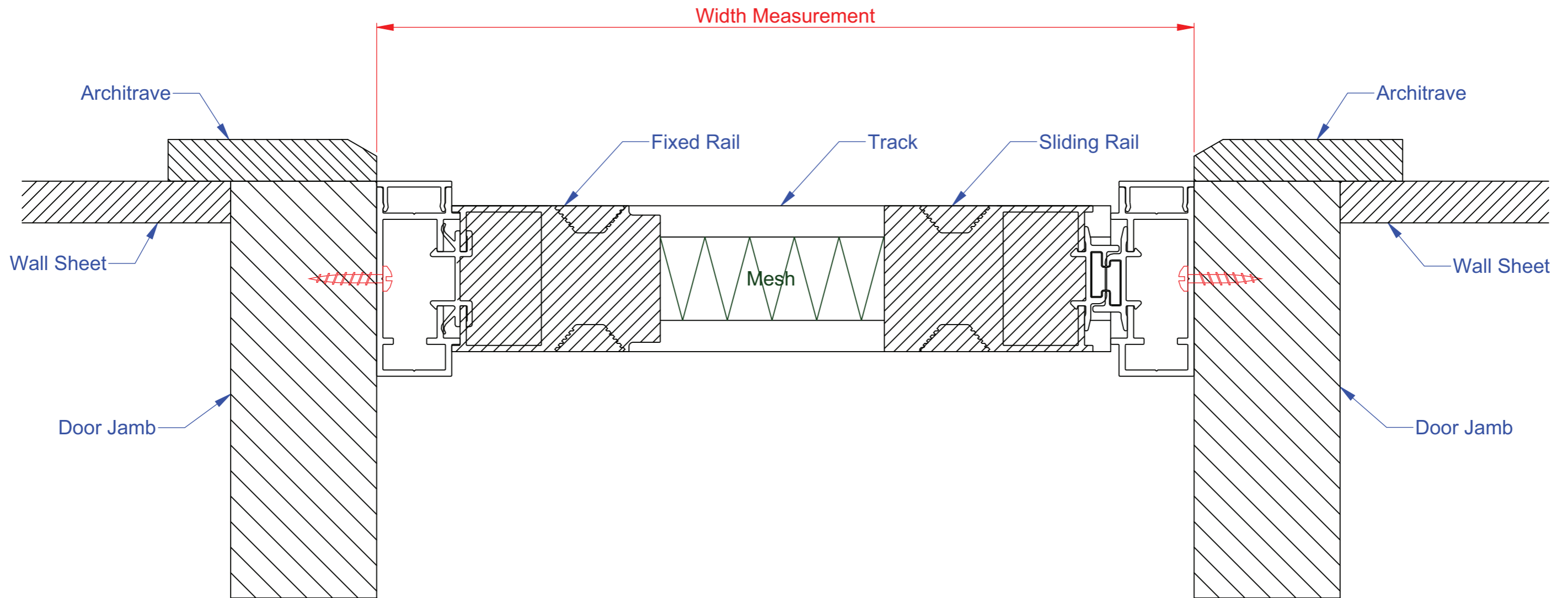
Freedom Screens - Pleated Screen
COMPONENT DIMS - GENERAL
SCALE 1:1 at A3
Revision-005



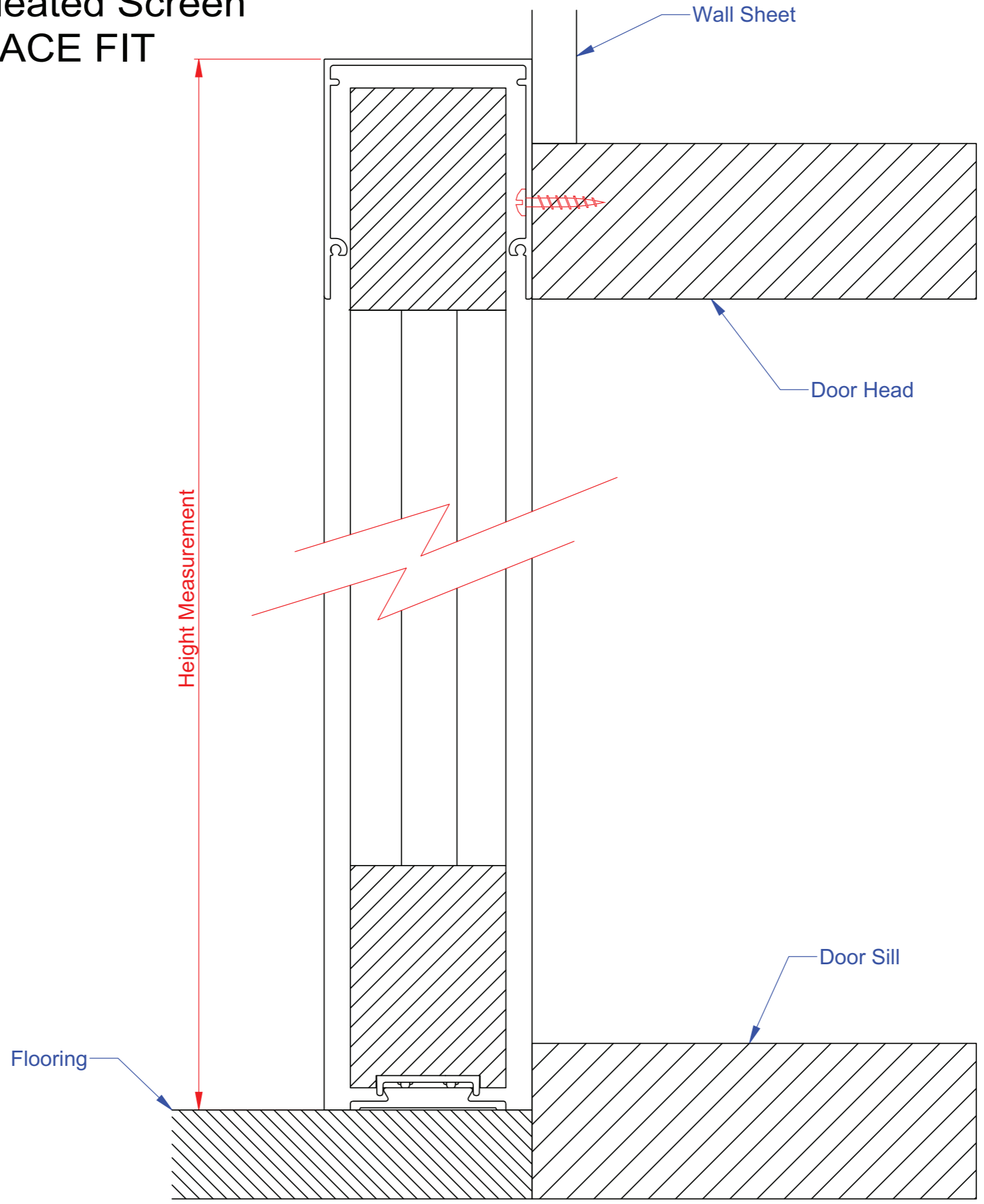
Freedom Screens - Pleated Screen
PLAN VIEW - FACE FIT
SCALE 1:1 at A3
Revision-005



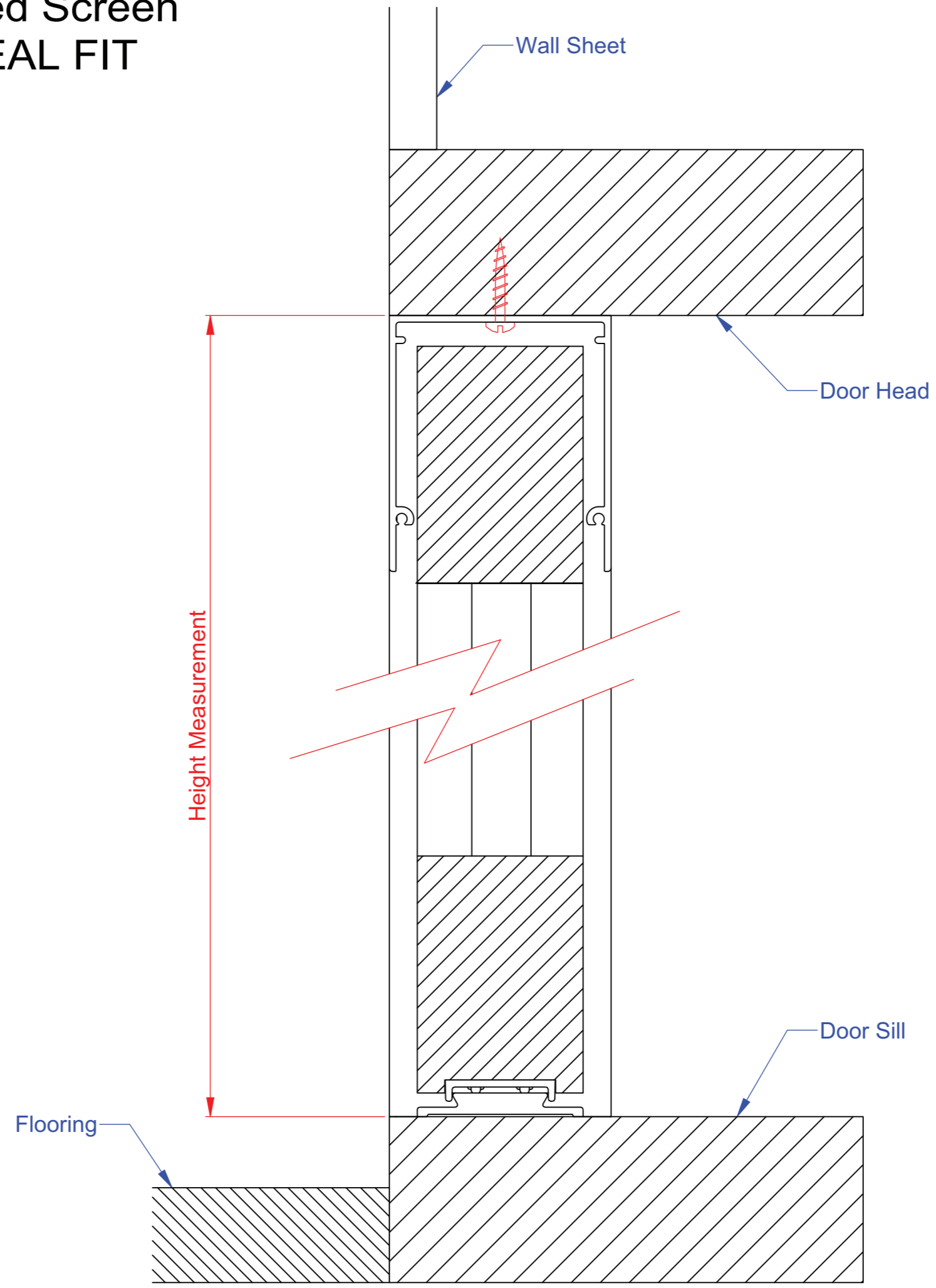
Freedom Screens - Pleated Screen
PLAN VIEW - REVEAL FIT
SCALE 1:1 at A3
Revision-005



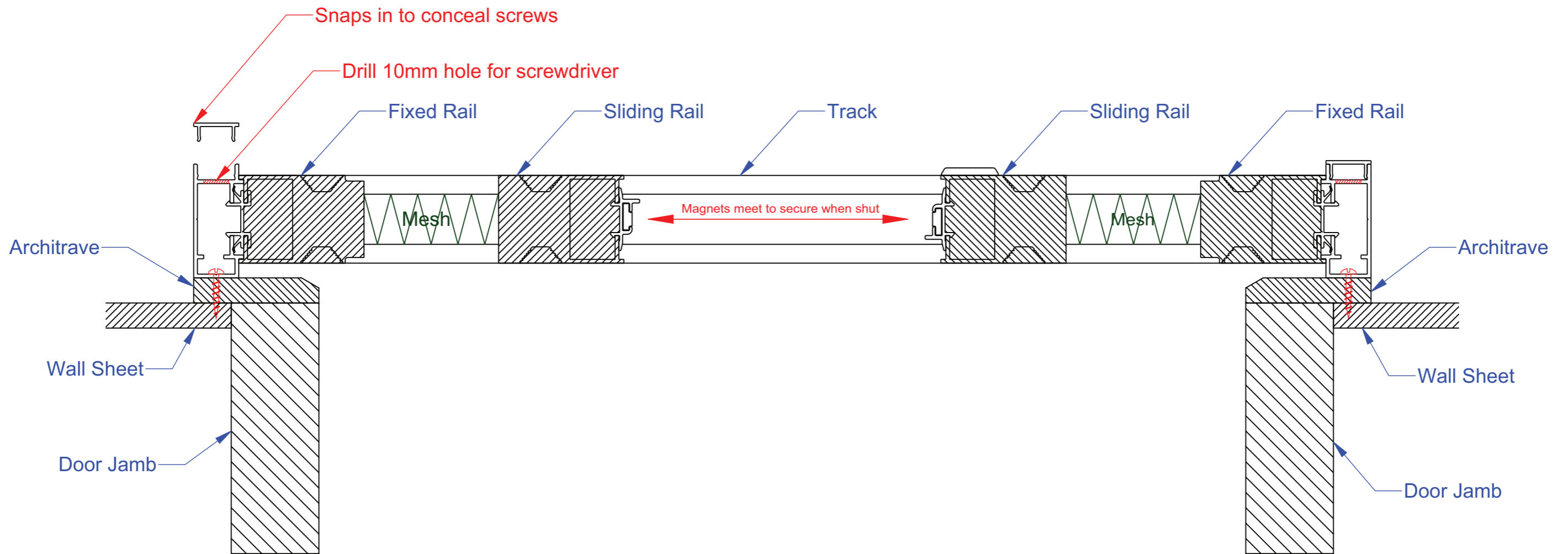
Freedom Screens - Pleated Screen
VERTICAL SECT. - FACE FIT
SCALE 1:1 at A3
Revision-005



Freedom Screens - Pleated Screen
VERTICAL SECT. - REVEAL FIT
SCALE 1:1 at A3
Revision-005



Freedom Screens - Pleated Screen
PLAN VIEW - DOUBLE FACE FIT
SCALE 3:5 at A3
Revision-005



Freedom Screens - Pleated Screen
 PLAN VIEW - DOUBLE REVEAL FIT
 SCALE 3:5 at A3
 Revision-005

